

SUP032NR



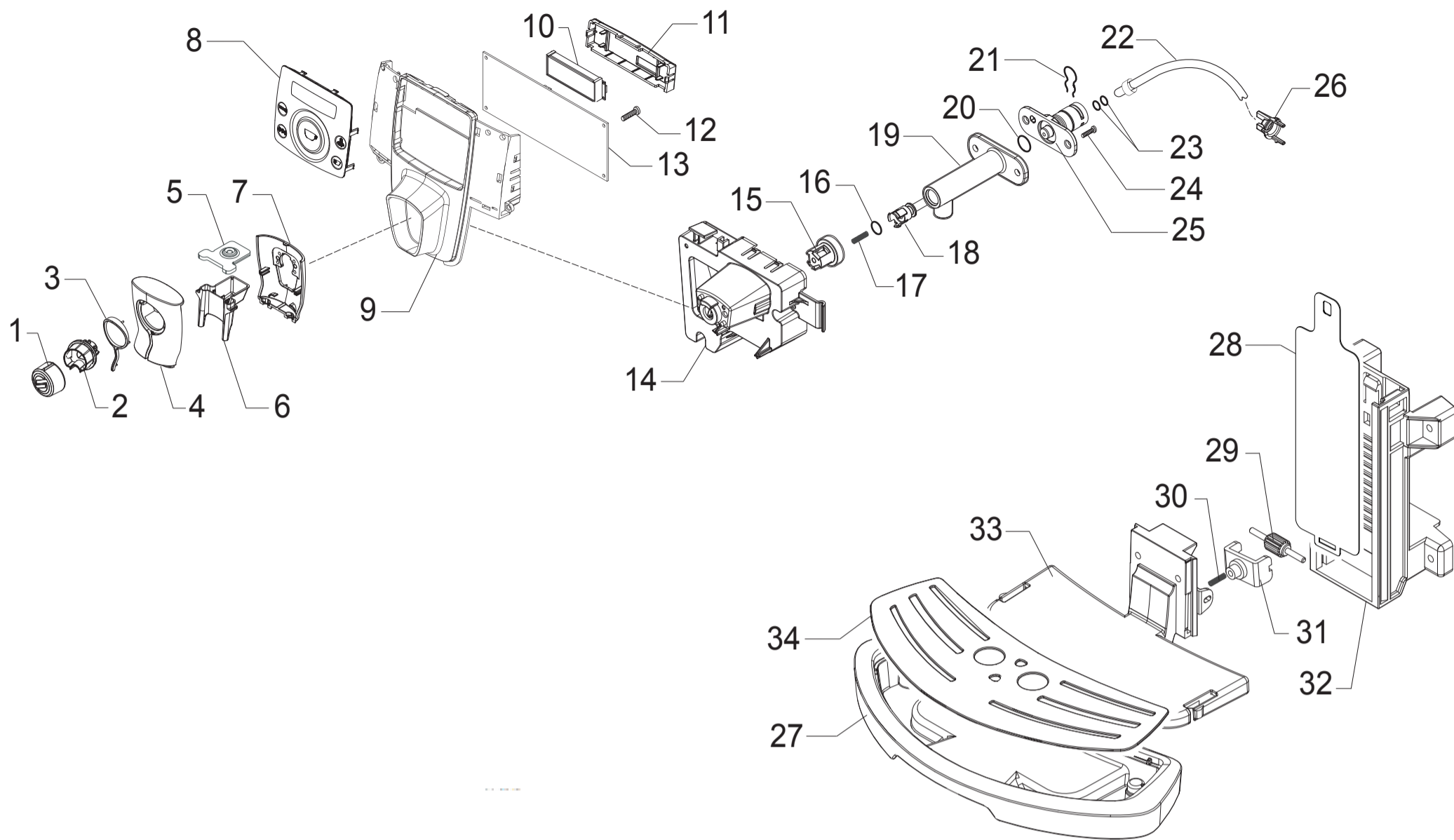
Cod.10004051

| POS | CODE | DESCRIPTION | NOTE | POS | CODE | DESCRIPTION | NOTE |
|-----|-----------|--|----------------|-----|-----------|---|------|
| 01 | 11004088 | TITANIO WATER TANK OUTLET COVER P0053 | | 42 | 11004085 | TITANIO DOOR P0053 | |
| 02 | 11001668 | NATURAL/GREY WATER CONTAINER LID P0053 | | 43 | 129913202 | SCREW TCB TORX 10 3X8 PLAST.ZN-B | |
| 03 | 11002017 | TRANSPARENT WATER CONTAINER P0053 ASSY | | 44 | 15003125 | MANUAL V3 SAE P0053/B SUP032NR GB/F | |
| 04 | 224640200 | EXTERNAL FILTER FOR WATER CONTAINER ASSY | WITH PART.N°05 | 45 | 21001404 | ACC SAE BRITA UNI.WAT.FILTERX1 EUR-ASIA | |
| 05 | 140328461 | EPDM OR METRIC 0190-10 | | 46 | 129914102 | SCREW TSP TORX 10 3,5X12 PLAST.ZN-B | |
| 06 | 11003672 | SPRING FOR WATER CONTAINER VALVE P0049 | | 47 | 183980650 | POWER CABLE JAPPON VCTF BLACK L=1200 MM | |
| 07 | 11003673 | GREY WATER CONTAINER VALVE INSERT P0049 | | 48 | 11003154 | BLACK REED SENSOR SUPPORT P0049 | |
| 08 | 11003671 | TRANSP.VALVE FOR WATER CONTAINER P0049 | | 49 | 0301.961 | WATER HARDNESS TEST | |
| 09 | 11001298 | BLACK LID FOR DUCKBILL VALVE P0049 | | 50 | 146680850 | BLACK COFFEE MEASURE SMART | |
| 10 | 13000841 | PS-E UPPER INSERT V4 FOR BOX P0053 | | 51 | 11005044 | SAECO KLUBER TRIBOSTAR SIL 2 TUBE 5GR. | |
| 11 | 13000840 | PS-E LOWER INSERT V4 FOR BOX P0053 | | 52 | 129661702 | SCREW TCB TORX 3,5X30 PLAST.ZN-B | |
| 12 | 13000882 | DISPLAY BOX V4 P0053 SAE TALEA | | 53 | 11003889 | 2POLES CONNECTOR SENSOR REED DOOR P0049 | |
| 13 | 11004057 | CHROMED WATER-STEAM KNOB P0053 | | | | | |
| 14 | 11005287 | BLACK BUSH FOR STEAM KNOB | | | | | |
| 15 | 11004142 | SILVER PLATE LOGO SAECO NEW P0049/P0053 | | | | | |
| 16 | 11011598 | SPECCHIATO COVER WITHOUT OPEN V2 P0053 | | | | | |
| 17 | 11002096 | TRANSPLATE INFRAREDS PLATE P0053 | | | | | |
| 18 | 11004921 | BLACK PLATE WITH LOGO TALEA P0053 RING | | | | | |
| 19 | 140321461 | OR 2018 IN EPDM | | | | | |
| 20 | 11003821 | BLACK CAP FOR CONNECTIONS P0049/P0053 | | | | | |
| 21 | 11000223 | BLACK WHEEL FOR CASING BOTTOM P124 | | | | | |
| 22 | 11004059 | TITANIO LEFT SIDE CASING P0053 | | | | | |
| 23 | 11001624 | STEAM TUBE WASHER P0049 | | | | | |
| 24 | NF11.084 | FOLK SPRING | | | | | |
| 25 | 11003968 | PWR BOARD P0049/P0053 | 100V | | | | |
| 26 | 11002030 | TRANSP.BEAN COFF.CONTAIN.LID P0053 ASSY. | | | | | |
| 27 | 11011509 | BLACK POWER BOARD PROTECT.V2 P0053/B-C | | | | | |
| 28 | 11001670 | NATUR/GREY GROUND COFF.CONTAIN.LID P0053 | | | | | |
| 29 | 11011354 | TRANSPAR.BEAN CONTAINER V2 P0053 | | | | | |
| 30 | 11002016 | MOUNTING PLATE WITH PIN P0053 PP+T ASSY. | | | | | |
| 31 | 12000280 | CUP SOCKET EN 60320 C 13 | | | | | |
| 32 | 11007060 | GENERAL SWITCH FOR P124 | | | | | |
| 33 | 11004067 | TITANIO RIGHT SIDE CASING P0053 | | | | | |
| 34 | 11004055 | TITANIO ON-OFF BUTTON INSERT P0049 | | | | | |
| 35 | 11004056 | CHROMED ON-OFF SWITCH BUTTON P0049 | | | | | |
| 36 | 11004083 | TITANIO DRIP TRAY COFFEE UNIT P0053 | | | | | |
| 37 | 11003533 | BLACK DUMP BOX P0049 ASSY. | | | | | |
| 38 | 11001659 | BLACK INSIDE COVER DOOR P0053 | | | | | |
| 39 | 9161.111 | MAGNET FOR FLOAT SUPERAUTOM. | | | | | |
| 40 | 11001340 | BLACK DOOR PIN P0049 | | | | | |
| 41 | 11008956 | SS SPRING FOR LOCK DOOR G0053 | | | | | |



PR TALEA RING V2

TABLE 1/5



SUP032NR



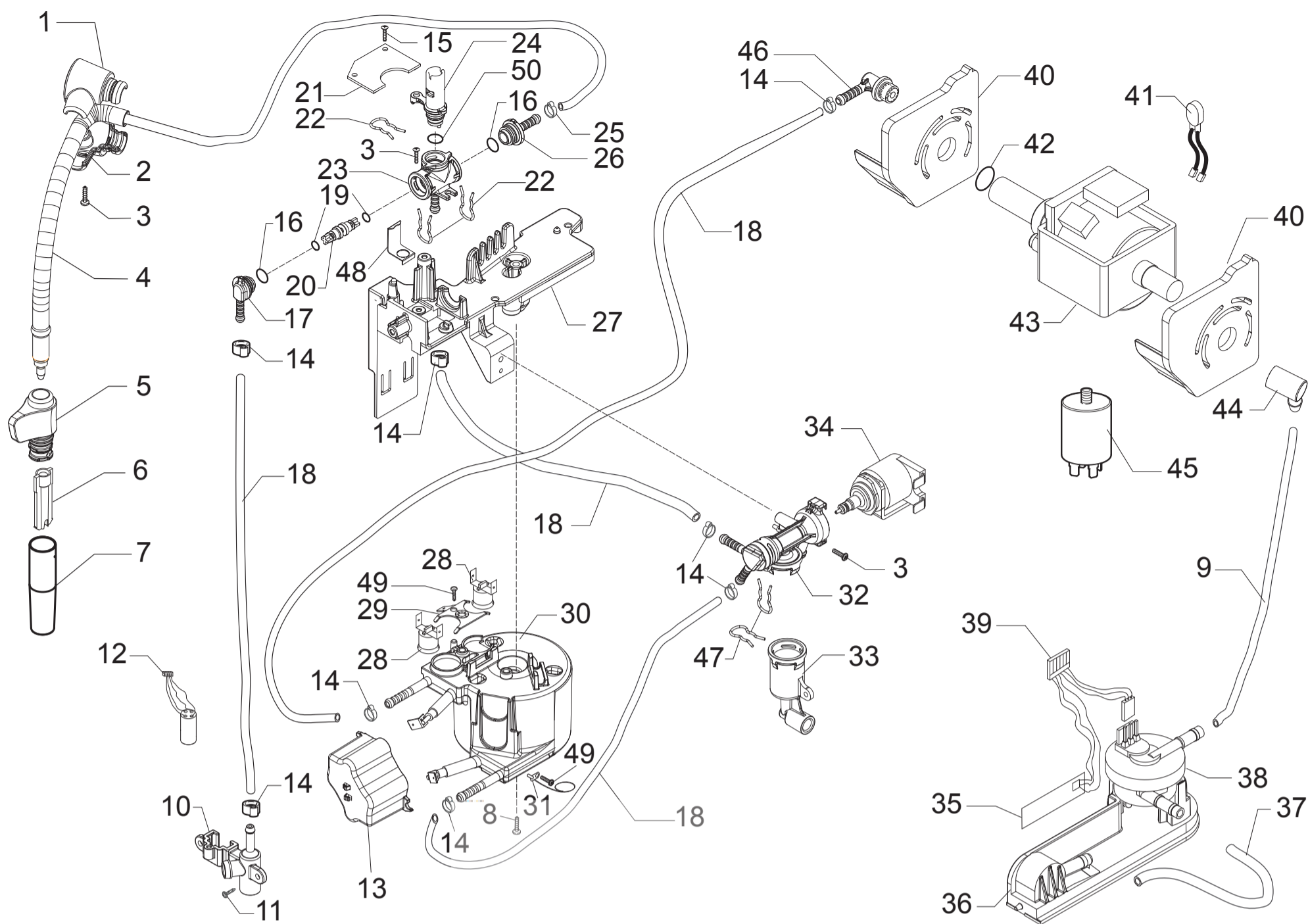
Cod.10004051

| POS | CODE | DESCRIPTION | NOTE | POS | CODE | DESCRIPTION | NOTE |
|-----|-----------|--|------|-----|------|-------------|------|
| 01 | 11007378 | CHR/PLAT.CREAM ADJUSTM.KNOB V2 P124 ASSY | | | | | |
| 02 | 11007420 | INTERNAL CONNECT.V2 FOR COFFEE DISPENSER | | | | | |
| 03 | 11002110 | AMBRA COFFEE DISPENSER LENS P0053 | | | | | |
| 04 | 11004208 | CHROMED FRONT COFFEE DISPENSER COVER | | | | | |
| 05 | 11002111 | BLACK CAP COFFEE DISPEN.HEAD BODY P0053 | | | | | |
| 06 | 11002049 | BLACK COFFEE DISPENSER BODY P0053 | | | | | |
| 07 | 11004119 | CHROMED REAR COFFEE DISPENSER COVER | | | | | |
| 08 | 11003222 | TITANIO DISPLAY FRONT PLATE P0053/B ASSY | | | | | |
| 09 | 11004098 | SPECCHIATO FRONT PANEL SUPPORT P0053/B-C | | | | | |
| 10 | 12000164 | DISPLAY VL 1351 P0053/B AMBRA | | | | | |
| 11 | 11002044 | DISPLAY SUPPORT P0053/B | | | | | |
| 12 | 129913202 | SCREW TCB TORX 10 3X8 PLAST.ZN-B | | | | | |
| 13 | 11009227 | CPU+SW AS.V2 P0053/B | | | | | |
| 14 | 11002112 | BLACK DISPENSING SUPPORT P0053 | | | | | |
| 15 | 149198700 | SUPPORT CREAM ADJUSTMENT SHAFT | | | | | |
| 16 | 140326661 | OR METRIC 0040-20 IN EPDM | | | | | |
| 17 | 126772518 | SPRING FOR CREAM ADJUSTMENT SHAFT | | | | | |
| 18 | 140640200 | CREAM ADJUSTMENT SHAFT | | | | | |
| 19 | 11000290 | BLACK COFFEE DISPENSER TUBE P124 | | | | | |
| 20 | 12000070 | OR METRIC 0060-15 IN SILICONE | | | | | |
| 21 | 9011.144 | FORK FOR TUBE D.4 | | | | | |
| 22 | 11001766 | TEFLON TUBE 2X4 L=125 MM ASSY. | | | | | |
| 23 | 140328059 | OR 2015 IN SILICONE PTFE/FDA | | | | | |
| 24 | 12000450 | SCREW TCB TORX 10 3,5X12 PLAST.GALVANIZ | | | | | |
| 25 | 11002130 | FAST LOCK CONNECTOR FOR EROGATOR P0053 | | | | | |
| 26 | 11001337 | BLACK TUBE TEFLON INSERT P0049 | | | | | |
| 27 | 11011002 | CARBONA MOBILE DRIP TRAY P0053 ASSY | | | | | |
| 28 | 11007037 | SPECCHIATO DRIP TRAY PROTECTION V2 P0049 | | | | | |
| 29 | 11001758 | PIN WITH BLACK INSERT ASSY.P0049 | | | | | |
| 30 | 11001364 | MOVE DRIP TRAY SPRING P0049 | | | | | |
| 31 | 11001335 | BLACK PIN INSERT FOR DRIP TRAY P0049 | | | | | |
| 32 | 11002033 | BLACK DRIP TRAY GUIDE P0053 | | | | | |
| 33 | 11004092 | CARBONA DRIP TRAY SUPPORT P0053 | | | | | |
| 34 | 11010389 | SB/STAINLESS STEEL GRATE P0053 | | | | | |



PR TALEA RING V2

TABLE 2/5



SUP032NR

Vending



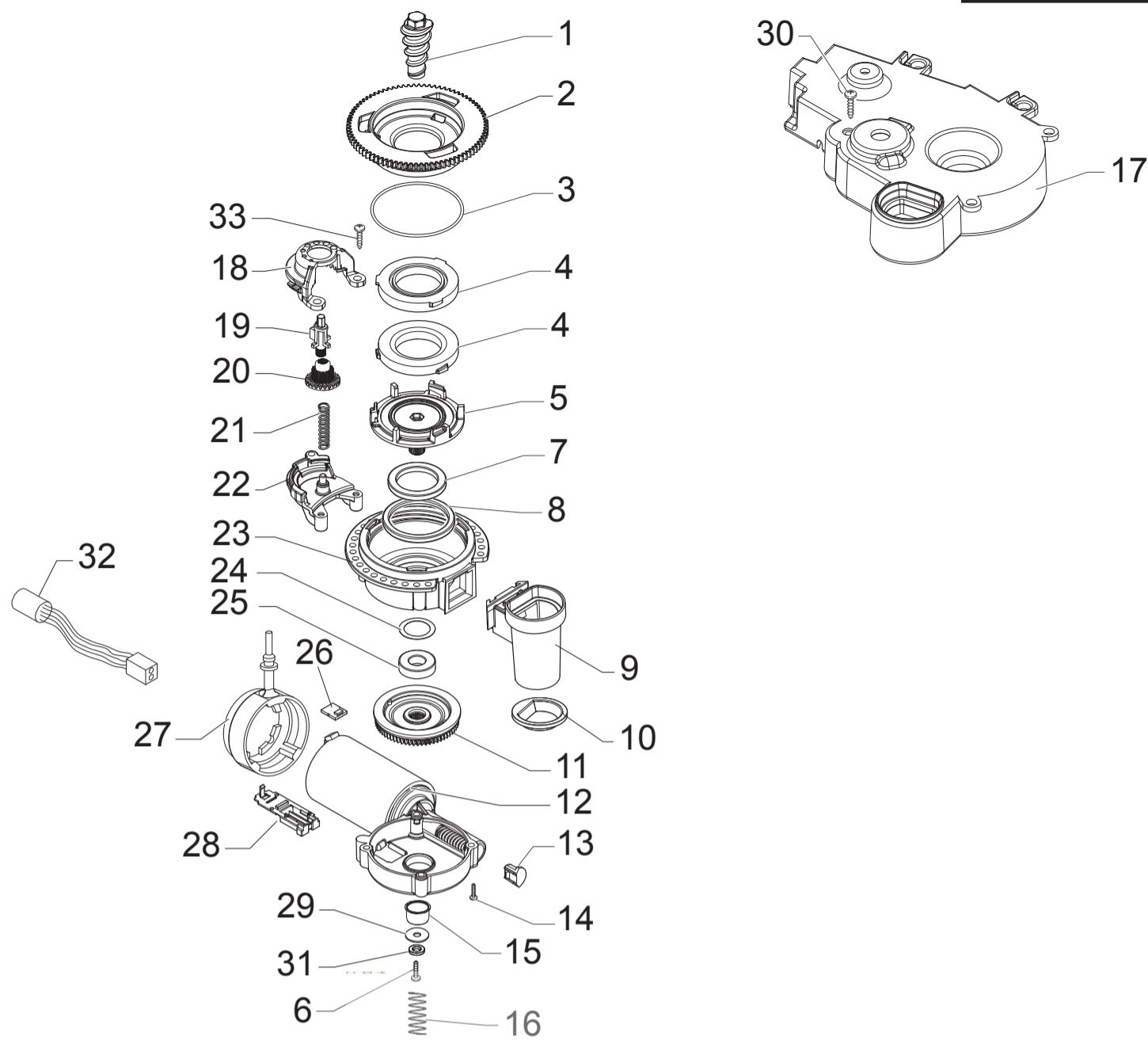
Cod.10004051

| POS | CODE | DESCRIPTION | NOTE | POS | CODE | DESCRIPTION | NOTE |
|-----|-----------|--|------------|-----|-----------|---|--------------|
| 01 | 11004196 | CHROMED UPPER STEAM TUBE COVER P0049 | | 42 | 140321961 | OR 2031 IN TERMOIL | |
| 02 | 11004197 | CHROMED LOWER STEAM TUBE COVER P0049 | | 43 | 12000130 | ULKA PUMP EP5/S GW | 100V-50/60HZ |
| 03 | 129913902 | SCREW TCB TORX 10 3X12 PLAST.ZN-B | | 44 | 147920150 | 90° INLET CONNECTOR PUMP | |
| 04 | 11022486 | TF/CHROM.STEAM TUBE V2 P0049/P0053 ASSY. | | 45 | 12000007 | ANTIDISTURB FILTER 16A | 100V |
| 05 | 11001625 | BLACK STEAM TUBE HANDGRIP P0049 | | 46 | 11001054 | 90°CONNECTOR PUMP OUTLET P0049/B | |
| 06 | 11001620 | BLACK PANNARELLO INTERNAL TUBE P0049 | | 47 | 11005096 | FORK SPRING FOR VALVE P0049 | |
| 07 | 11011504 | TF/CHROM.PANNARELLO COVER P0049 | | 48 | 11002957 | SS.FAUCET FOR SPRING P0049 | |
| 08 | 129932502 | SCREW TCEI 5X30 PLAST.ZN-B | | 49 | 12001715 | SCREW TCB TORX 20 M4X8 AUTOFORMING ZN-B | |
| 09 | 149360200 | SILICONE TUBE 5X8 70SR | IN ROLL | 50 | 12001615 | OR 2025 IN EPDM PEROX.FOOD 70 SH | |
| 10 | 11007421 | BLACK CONNECTOR FOR P0054 | | | 11025775 | TEA/BRASS FAUCET V2 P0049-P0053 ASSY. WITH PART.N°16-17-19-20-22-23-24-26-50 | |
| 11 | 12000450 | SCREW TCB TORX 10 3,5X12 PLAST.ZN-N | | | 11005751 | BLOWDOWN VALVE P0049 100V ASSY. WITH PART.N°32-33-34-47 | |
| 12 | 11000465 | 4POLE CONNECTOR FOR P0054 | | | 11008029 | ALUM.BOILER V2 P0053 100V ASSY. | COMPLETE |
| 13 | 11005284 | BLACKBOILER CONNECTORS COVER P0049/P0053 | | | | | |
| 14 | 12000892 | OETIKER CLAMP D=9,5 16700004 | | | | | |
| 15 | 129913202 | SCREW TCB TORX 10 3X8 PLAST.ZN-B | | | | | |
| 16 | 12001613 | OR 108 IN EPDM PEROX.FOOD 70SH | | | | | |
| 17 | 11001544 | BLACK FAUCET CONNECTOR P0049 | | | | | |
| 18 | 16000380 | 5X8,9 SILICONE TUBE | IN ROLL | | | | |
| 19 | 12001614 | OR 2012 IN EPDM PEROX.FOOD 70 SH | | | | | |
| 20 | 11004134 | TEA/BRASS FAUCET SHAFT P0049 | | | | | |
| 21 | 11007569 | TAP ELECTRONIC CARD G0053 ASSY. | | | | | |
| 22 | 11001499 | FORK SPRING FOR FAUCET P0049 | | | | | |
| 23 | 11004625 | TEA/BRASS FAUCET CASING P0049 | | | | | |
| 24 | 11025776 | PLAST/BRASS FAUCET SHAFT V2 P0049 ASSY. | | | | | |
| 25 | NF11.052 | OETIKER CLIP | | | | | |
| 26 | 11001546 | FAUCET STRAIGHT CONNECTOR P0049 | | | | | |
| 27 | 11001332 | BLACK BOILER-FAUCET-VALVE SUPPORT P0049 | | | | | |
| 28 | 12001034 | THERMOSTAT ONE SHOT 175° | | | | | |
| 29 | 11001751 | THERMOSTATES SPRING FOR BOILER | | | | | |
| 30 | 11011343 | ALUM.BOILER/V4 ASSY. | 100V-1300W | | | | |
| 31 | 190800100 | TEMPERATURE SENSOR NTC UL L=280MM | | | | | |
| 32 | 20000591 | BLOWDOWN VALVE CASING P0049 ASSY. | | | | | |
| 33 | 20000592 | BLOWDOWN VALVE CONNECTOR P0049 ASSY. | | | | | |
| 34 | 20000681 | BLOWDOWN VALVE COIL P0049 ASSY. | 100V | | | | |
| 35 | 11000651 | WATER LEVEL SENSOR BOARD P124 | | | | | |
| 36 | 11003670 | BLACK TURBINE SUPPORT V2 P0049 | | | | | |
| 37 | JS01.022 | SILICONE TUBE 5X10 60 SHORE | IN ROLL | | | | |
| 38 | 12000781 | TURBINE D=1,2 932-8521/90 ASSY. | | | | | |
| 39 | 11005648 | 6 POLES CONNECT.LEVEL+FLOWMETER P0049 UL | | | | | |
| 40 | 11006296 | BLACK PUMP SUPPORT P0049 ASSY. | | | | | |
| 41 | 11005668 | 2POLES CONNECTOR PUMP P0049 UL | | | | | |



PR TALEA RING V2

TABLE 3/5



SUP032NR

Vending



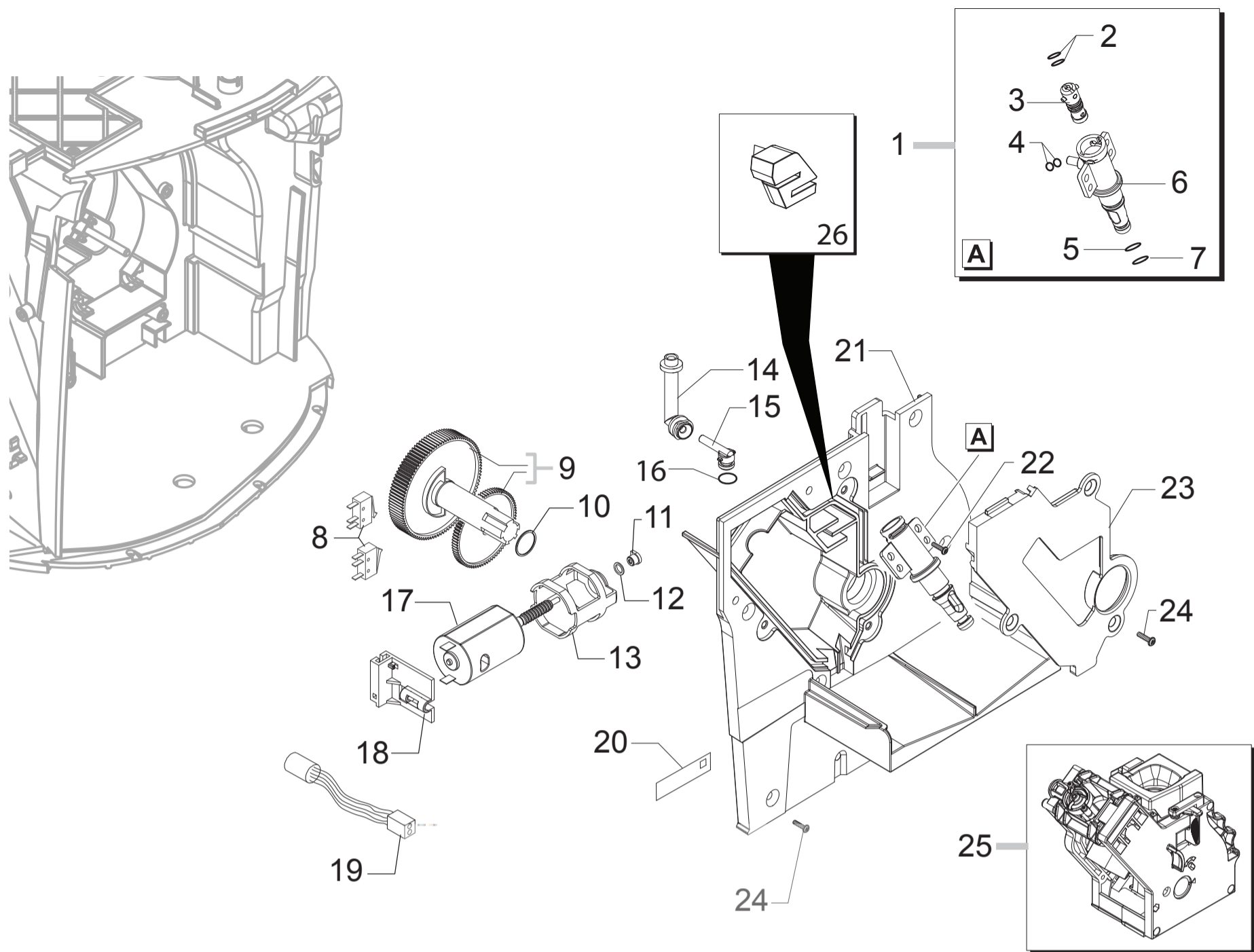
Cod.10004051

| POS | CODE | DESCRIPTION | NOTE | POS | CODE | DESCRIPTION | NOTE |
|-----|-----------|--|------|-----|------|-------------|------|
| 01 | 11011205 | TEA/ZAMA INCREASE SCREW GRINDER | | | | | |
| 02 | 149198250 | UPPER GRINDER SUPPORT COFFEEGRINDER | | | | | |
| 03 | 140328960 | NBR FDA OR METRIC 0530-15 | | | | | |
| 04 | 146520100 | BAKED CLAY GRINDER 48X28 | | | | | |
| 05 | 149198350 | LOWER GRINDER SUPPORT COFFEEGRINDER | | | | | |
| 06 | 129574802 | SCREW TCB TORX 20 M4X30 ZN-B | | | | | |
| 07 | 123030300 | AXIAL BEARING EKKO 342.35252 | | | | | |
| 08 | 140360500 | FELT RING 45,4X39,4X4 | | | | | |
| 09 | 11026355 | GROUND COFFEE OUTLET CONVEYOR V4 ASSY | | | | | |
| 10 | 145854462 | GROUND COFFEE CONT.SEAL LOWER SMART1 | | | | | |
| 11 | 226000300 | GEAR SX Z=38 FOR GRINDER MOTION ASSY. | | | | | |
| 12 | 11000512 | MOTOR COFFEEGRINDER/V3.1 ASSY. | 100V | | | | |
| 13 | 149214800 | CAP FOR WORM SCREW MC/V3 CENTRING | | | | | |
| 14 | 129661702 | SCREW TCB TORX 3,5X30 PLAST.ZN-B | | | | | |
| 15 | 11002873 | INSULATOR BUSH FOR GRINDER MOTOR P124 | | | | | |
| 16 | 11000597 | COFFEE GRINDER SUPPORT SPRING P124 | | | | | |
| 17 | 11001826 | SOUNDPROOFING COVER FOR COFGRINDER P0053 | | | | | |
| 18 | 11002508 | UPPER GEAR SUPPORT COFFEEGRINDER P124 | | | | | |
| 19 | 11003446 | BLACK INSERT FOR COFFEE GRINDER P0049 | | | | | |
| 20 | 11003784 | COFFEE GRINDING ADJUSTMENT GEAR P0049 | | | | | |
| 21 | 11002572 | GRINDER REGULATION SPRING P124 | | | | | |
| 22 | 11002613 | LOWER GEAR SUPPORT COFFEEGRINDER P124 | | | | | |
| 23 | 142905450 | UPPER BODY WITH COFFE.GROUND OUTLET | | | | | |
| 24 | 128381800 | CRINKLE WASHER 21,8X15,8X0,2 | | | | | |
| 25 | 123030200 | RADIAL BEARING 61900.2RS1 | | | | | |
| 26 | 181540900 | ELECTRONIC BOARD WITH SENSOR HAL506 | | | | | |
| 27 | 11001367 | BLACK COFFEE GRINDER SUPPORT P0049 | | | | | |
| 28 | 149199050 | SENSOR SUPPORT FOR COFF.GRIND.MOTOR | | | | | |
| 29 | 128381902 | GALVAN.FLAT WASH.DI=4,3 DE=14 SP=1,5 | | | | | |
| 30 | 129914002 | SCREW TCB TORX 10 3,5X16 PLAST.ZN-B | | | | | |
| 31 | 128310402 | GALV.WASHER UNI 8842 A4 | | | | | |
| 32 | 11005658 | 5POLES CONNECTOR MC SENSORS P0049 UL | 100V | | | | |
| | 11007418 | GENERAL MOTOR MC V2 P0049 100V ASSY. | | | | | |



PR TALEA RING V2

TABLE 4/5



SUP032NR

Vending



Cod.10004051

| POS | CODE | DESCRIPTION | NOTE | POS | CODE | DESCRIPTION | NOTE |
|-----|-----------|--|------|-----|------|-------------|------|
| 01 | 11005113 | PIN V2 FOR BOILER P049/B ASSY. | | | | | |
| 02 | 140324459 | OR ORM 0060-20 IN SILICONE PTFE/FDA | | | | | |
| 03 | 11003820 | CAP V2 FOR PIN BOILER P119 | | | | | |
| 04 | 140328059 | OR 2015 IN SILICONE PTFE/FDA | | | | | |
| 05 | NM01.035 | OR ORM 0090-20 SILICONE | | | | | |
| 06 | 11003801 | PIN V2 FOR BOILER P119 | | | | | |
| 07 | NM01.057 | OR ORM 0050-20 SILICONE | | | | | |
| 08 | NE05.038 | MICROSWITCH | | | | | |
| 09 | 20000900 | SPARES KIT GEARS FOR RATIOMOTOR V2 | | | | | |
| 10 | 9161.132 | MYLAR WASHER FOR RATIOMOTOR | | | | | |
| 11 | 9121.046 | SINTERED BUSH FOR MOTOR | | | | | |
| 12 | 148380200 | WASHER BAKELIZZATE D=5,5 | | | | | |
| 13 | 9121.044 | ANTIVIBRATION FOR MOTOR | | | | | |
| 14 | 11004086 | VALVE DESCARGING WATER 90° CONNECTOR | | | | | |
| 15 | 11003648 | COVER DESCARGING WATER 90° CONNECTOR | | | | | |
| 16 | 140325462 | OR METRIC 0070-20 IN SILICONE | | | | | |
| 17 | 11005214 | MOTOR FOR RATIOMOTOR P124 ASSY. | | | | | |
| 18 | 11001331 | BLACK MICROSWITCH SUPPORT DUMP BOX P0049 | | | | | |
| 19 | 11003661 | REED SENSOR MK3-1A66-BV16451 | | | | | |
| 20 | 11000651 | WATER LEVEL SENSOR BOARD P124 | | | | | |
| 21 | 11006337 | BLACK COVER MOUNTING PLATE P0049 ASSY. | | | | | |
| 22 | 129914002 | SCREW TCB TORX 10 3,5X16 PLAST.ZN-B | | | | | |
| 23 | 11001312 | BLACK COVER FOR VAIN BOILER P0049 | | | | | |
| 24 | 129914102 | SCREW TSP TORX 10 3,5X12 PLAST.ZN-B | | | | | |
| 25 | 11005921 | BLACK BREW UNIT 8GR.V2 P124/SBS SEE EXP.COD.E90060 | | | | | |
| 26 | 11022216 | BLACK MOUNTING PLATE COVER PROTECT.P0049 | | | | | |



PR TALEA RING V2

TABLE 5/5

Vending